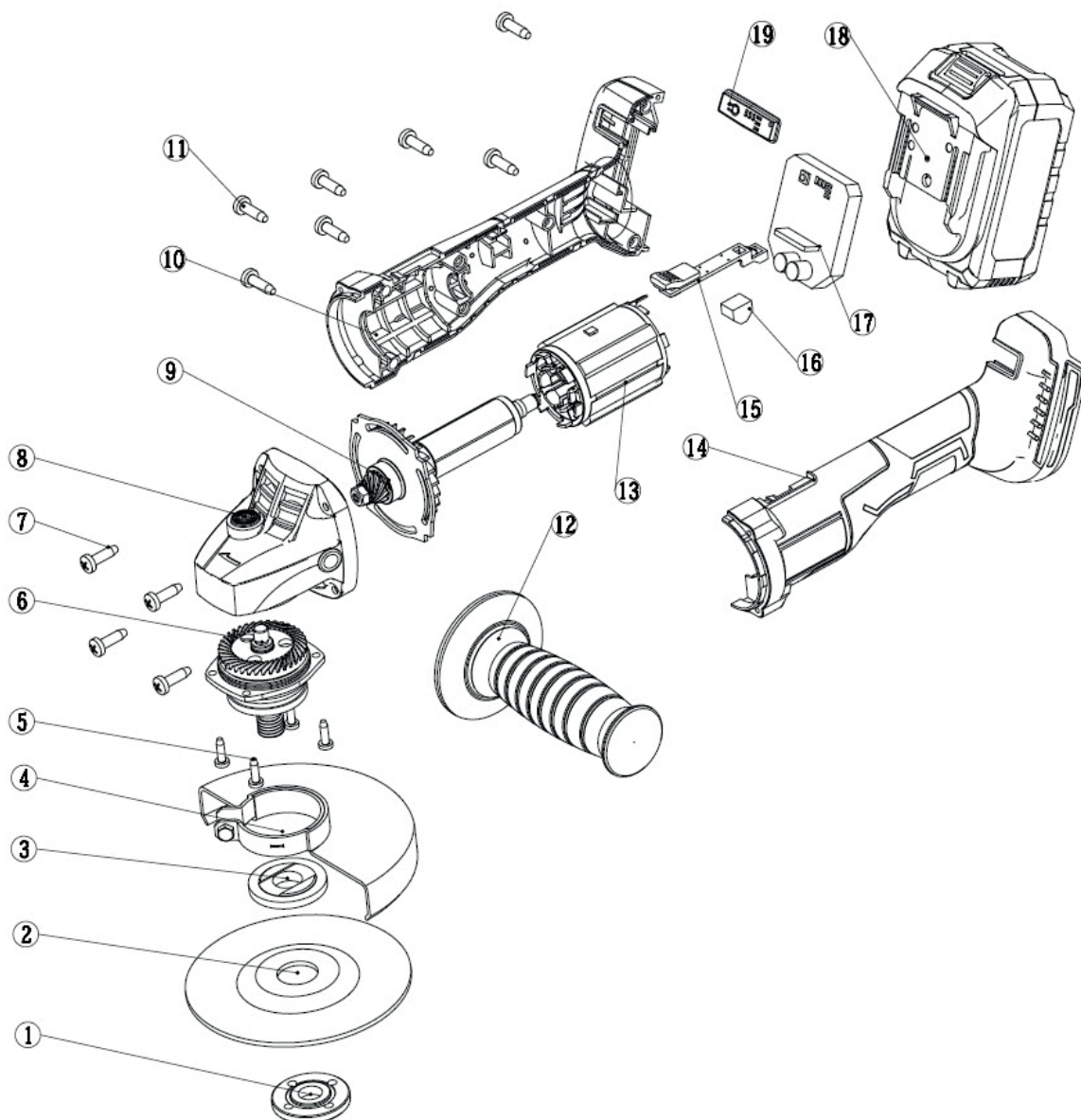


# 510200 CORDLESS ANGLE GRINDER 800W 5" / 125 MM 21 V (SPARE PARTS)



NO.	DESCRIPTION	QTY	Memo	NO.	DESCRIPTION	QTY	Memo
510200-1	Movable pressing plate	1		510200-11	ST3X16 ST screw	7	
510200-3	Fixed pressing plate	1		510200-12	Handle	1	
510200-4	Metal Shield	1		<b>510200-13</b>	Motor stator	1	Included in number 9
510200-5	M4X10 ST screw	4		510200-14	Housing	1	
510200-6	Bevel gear ASS	1		510200-15	Pull rod assembly	1	
510200-7	ST5X16 ST screw	4		510200-16	Switch	1	
510200-8	Aluminum housing ASS	1		510200-17	PCB controller	1	
<b>510200-9</b>	Motor rotor	1	Contains 9,13	519021	Battery	1	
510200-10	Housing	1		510200-19	Speed control panel	1	

Color	Info
	Contains more than one item
	Not sold separately